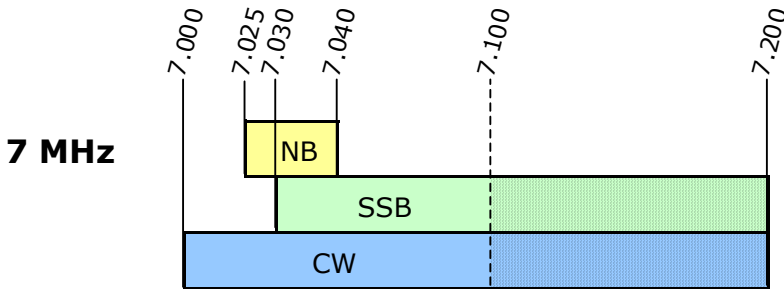
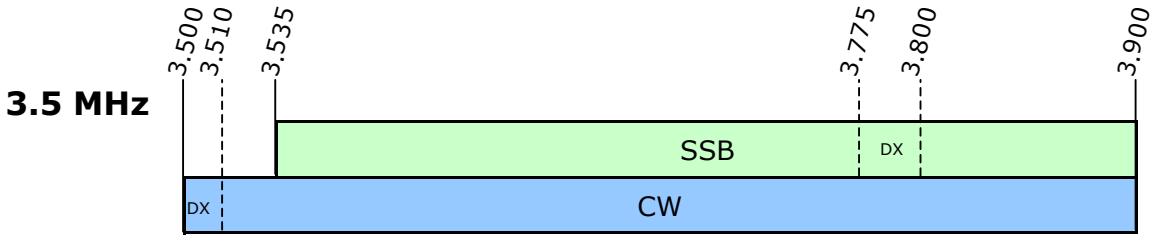
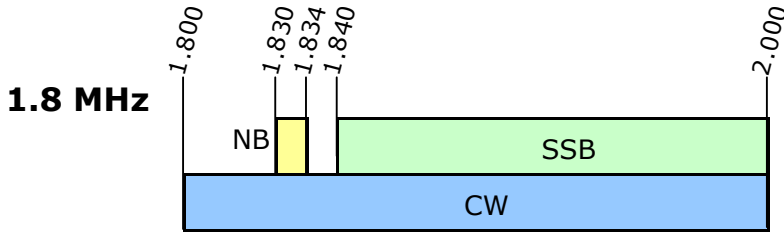
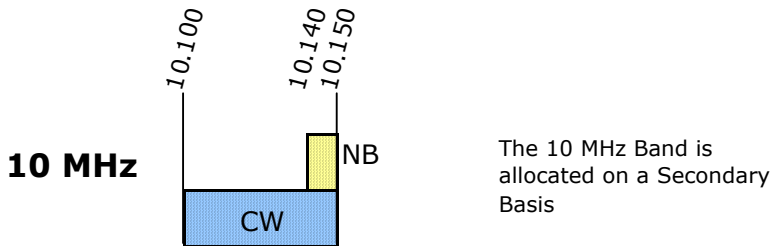


# 9V1 Band Plan

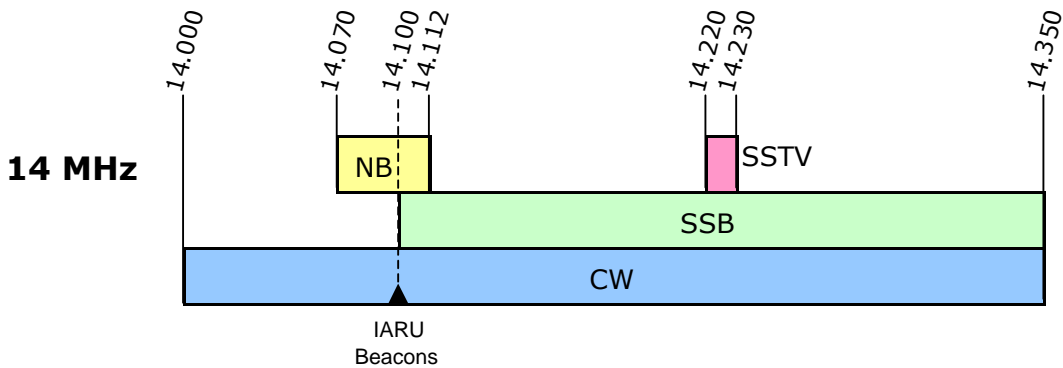


The 7.1 to 7.2 MHz segment is allocated on a secondary basis.

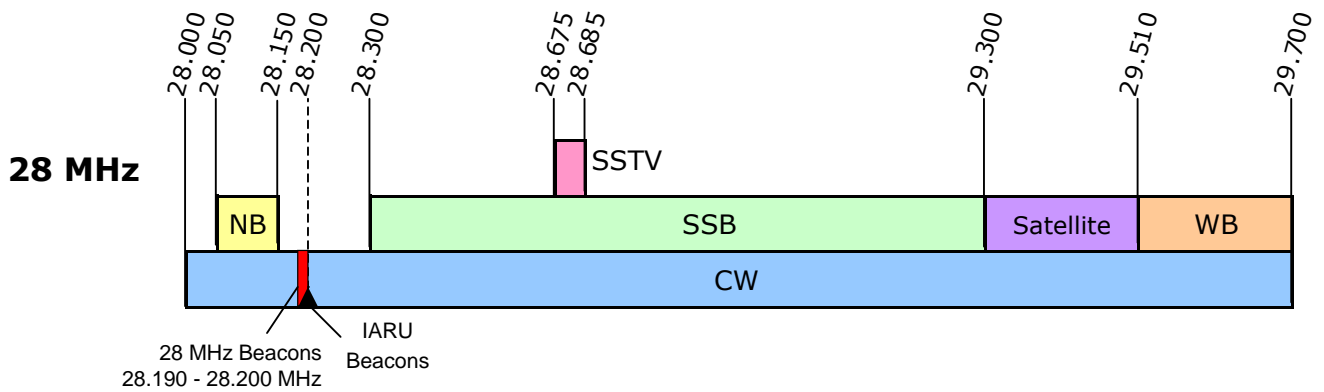
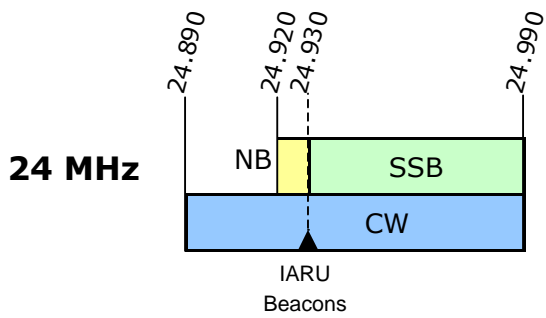
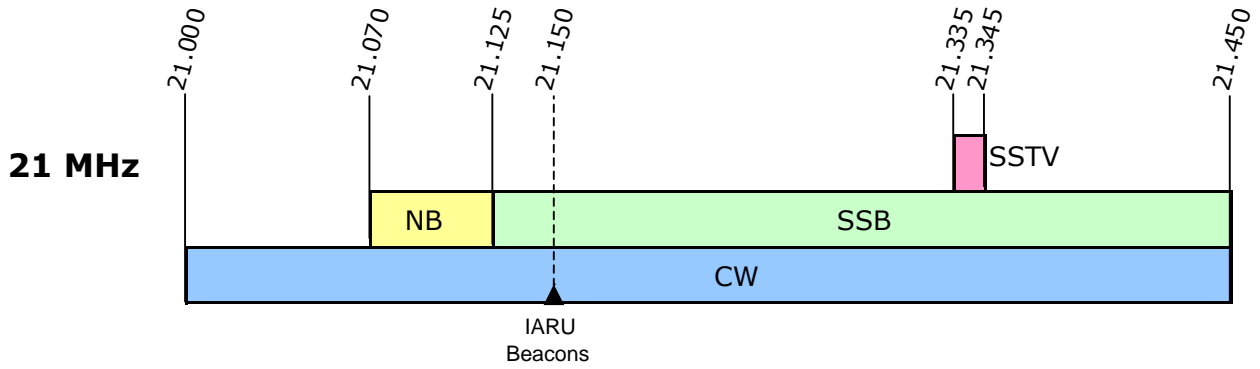
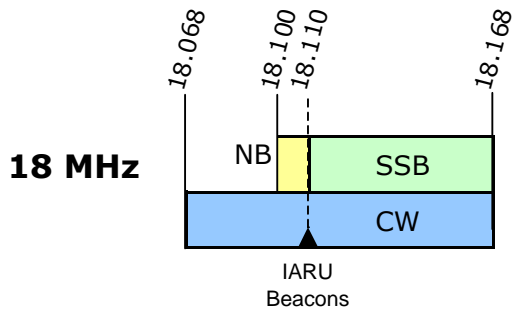
7.135 and 7.160 MHz,  $\pm 4$  kHz, are not to be used.



The 10 MHz Band is allocated on a Secondary Basis



It is recommended that the sub-band for Data Modes be from 14.070 MHz to 14.112 MHz (with a  $\pm 0.5$  kHz guard band for the 14.100 MHz beacon), and within that data sub-band, traditional data modes may continue up to 14.095 MHz, with 14.095 to 14.112 MHz being reserved for other data modes including Packet.



**Note:** The Guard Band for IARU and 28 MHz Beacons is  $\pm 0.5$  kHz

**Legend**

NB: Narrow Band modes including Digital modes not exceeding 2 kHz

WB: Wide Band modes including FM



